

Retaining Basins and Lids



This product may be suitable for various types of needs, and there are many possible applications, such as:

- garage floors
- residence basements
- access paths to the garage and basements
- terraces
- hotel corridors
- etc.

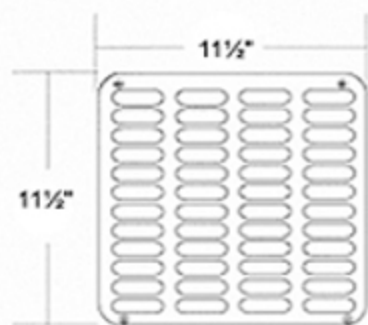
Description:

- Complies with plumbing standards: C.I-12-I, rI

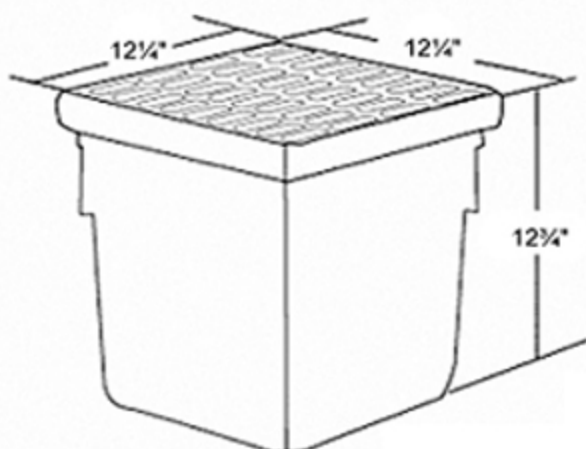
- Meets CSA B 79
- Exceed the standards of the Construction Code
- Compatible with: High density polyethylene lids or Galvanized steel lids

Here are the different models available with compatible lids:

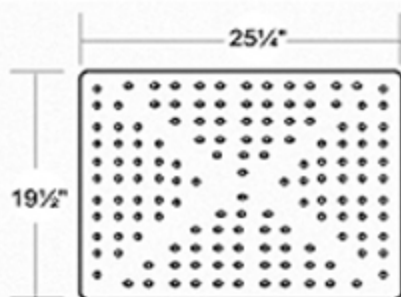
- Retaining Basins 1824 P Covers 1925 P
- Retaining Basins 2425 P Covers 1925 P
- Retaining Basins 1416 P Covers 1618 P
- Retaining Basins 1212 B Covers 1212 C
- Kit Retaining Basins and lids 1212 P



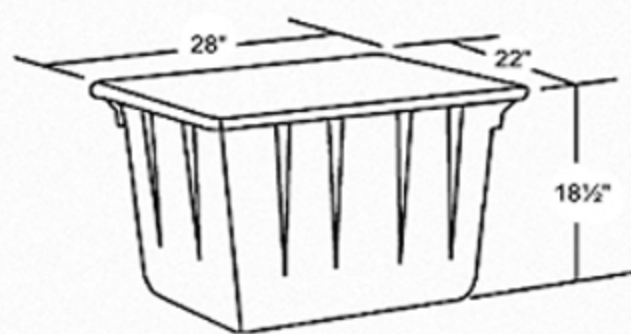
1212 C



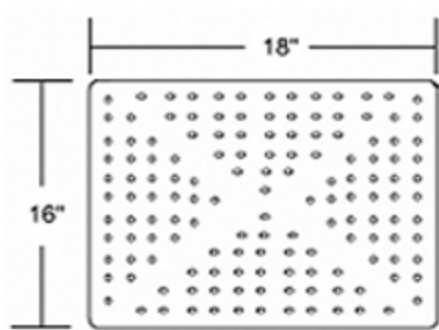
1212 B



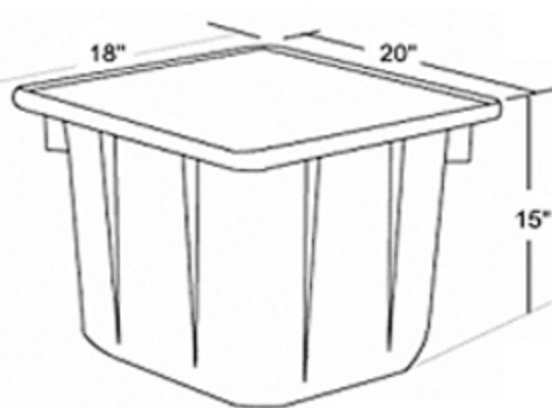
1925 P



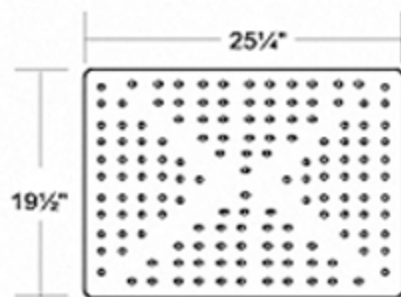
1824 p



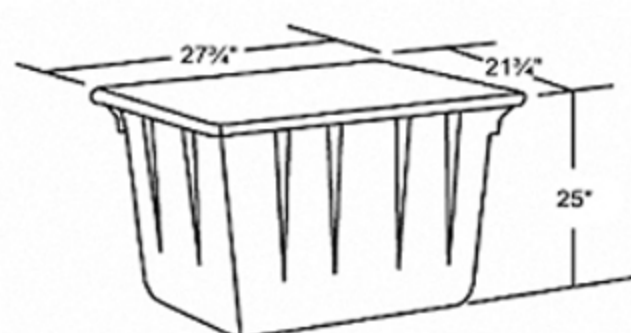
1618 P



1416 P



1925 P



2425 P